



APOGEE FREESTANDING WOK
MW-1800G, MW-2500G, MW-3000G, MW-3500G

PRODUCT: QTY: ITEM #:



Standard Features:

- Portable tabletop design with stainless steel housing, heavy duty electronic components and specially engineered, high impact, high temperature, recessed glass wok bowl designed for use in commercial kitchens
- Induction coil surrounds glass bowl to allow for maximum heating of induction compatible wok pan
- Pan Maximizer feature achieves maximum heating rate of induction compatible wok pan
- Sloped front panel allows for easy viewing and operation.
- Microprocessor monitors vital components 120 times per second to check for overheating, power supply problems, and more. Cooktop shuts off and displays error codes enabling user to diagnose and fix minor problems
- LCD display panel with capacitive touch for precise user feedback and operation
- Built in cooking timer
- SmarTemp™ temperature control allow for 100 power cook settings
- Automatic pan detection allows for instant energy transmission to pan, and no energy use when pan is not present
- Automatic shut-off feature prohibits overheating
- Easy-to-clean glass top and front surface
- Integral cooling fan keeps internal electronics cool
- Available in 1800 Watts (100-120V), 2500, 3000 and 3500 Watts (200-240V)
- One year limited warranty
- Made in the USA

Specifications:

Shall be a CookTek induction wok, Model _____ with a total kW rating of _____. Unit shall be manufactured in the United States and constructed of a stainless steel housing with a specially engineered, high-impact, high-temperature, recessed glass wok bowl to accommodate wok pan. Unit shall be equipped with built in SmarTemp™ temperature control with 100 precise power settings, auto shut off to prevent over-heating, self diagnostics, and a pan maximizer feature that ensures maximum heating of any induction compatible wok pans. Unit shall operate on _____ power with cord and plug supplied.

CookTek
 810 West Washington Blvd.
 Chicago, Illinois 60607 USA
 www.cooktek.com

Tel: 1.312.563.9600 Fax: 1.312.432.6220
 Toll Free: 1.888.COOKTEK (266-5835)
 Toll Free Fax: 1.888.COOKFAX (266-5329)

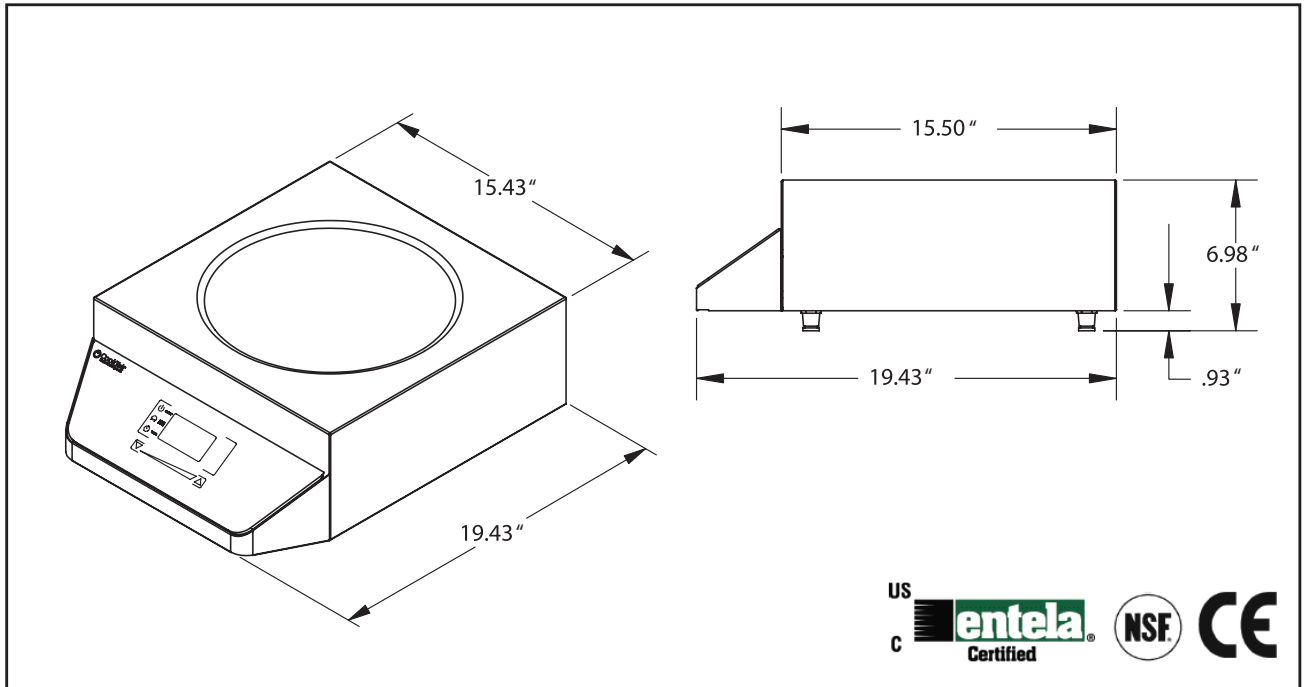


APOGEE FREESTANDING WOK MW-1800G, MW-2500G, MW-3000G, MW-3500G





APOGEE FREESTANDING WOK
MW-1800G, MW-2500G, MW-3000G, MW-3500G



APOGEE FREESTANDING WOK MW-1800G, MW-2500G, MW-3000G, MW-3500G

SPECIFICATIONS

Model Number	MW-1800G	MW-2500G	MW-3000G	MW-3500G
Power requirements	100-120V, 1PH	200-240V, 1PH	200-240V, 1PH	200-240V, 1PH
Power consumption	1800 Watts	2500 Watts	3000 Watts	3500 Watts
BTU comparison	16,000 BTU	22,000 BTU	26,000 BTU	31,000 BTU
Voltage	100-120V, 50/60Hz	200-240V 50/60Hz	200-240V 50/60Hz	200-240V 50/60Hz
Amperage	15 amps (at max. setting)	11 amps (at max. setting)	13 amps (at max. setting)	15 amps (at max setting)
Power range	100-1800W	100-2500W	100-3000W	100 - 3500W
Temperature range	85 - 500F	85 - 500F	85 - 500F	85 - 500F
Surface dimensions (inches)	19.43L x 15.43W x 6.98H	19.43L x 15.43W x 6.98H	19.43L x 15.43W x 6.98H	19.43L x 15.43W x 6.98H
Weight	23.3 lbs	23.3 lbs	23.3 lbs	23.3 lbs
Packaged weight	26 lbs	26 lbs	26 lbs	26 lbs
Packaging (inches)	24.0L x 18.0W x 10.0H	19.0L x 19.0W x 14.5H	19.0L x 19.0W x 14.5H	24.0L x 18.0W x 10.0H
North American Cord length & plug	6 Ft., NEMA 5-15P	6 Ft., NEMA 6-20P	6 Ft., NEMA 6-20P	6 Ft., NEMA 6-20P
Warranty	One year limited warranty	One year limited warranty	One year limited warranty	One year limited warranty
Cooling clearance	2" for front, sides and rear	2" for front, sides and rear	2" for front, sides and rear	2" for front, sides and rear

Note: Many local codes exist, and it is the Owner and Installer's responsibility to comply with those codes. It's CookTek's policy to continually improve its products, and we reserve the right to change or improve our specifications without notification.

CookTek
 810 West Washington Blvd.
 Chicago, Illinois 60607 USA
 www.cooktek.com

Tel: 1.312.563.9600 Fax: 1.312.432.6220
 Toll Free: 1.888.COOKTEK (266-5835)
 Toll Free Fax: 1.888.COOKFAX (266-5329)

