

PRODUCT:

QTY:

ITEM #:



Standard Features:

- Drop-in countertop design with stainless steel edging, stainless housing, heavy duty electronic components, and high impact, thick, ceramic-glass cook top engineered for commercial use.
- SmarTag™ Temperature control allows for over 100 precise temperature settings in conjunction with SmarTag™ chafing dish
- SmartTemp™ temperature control mode made available for induction-compatible chafing dishes even without SmarTag™ technology
- Pan Maximizer feature achieves maximum warming of any induction compatible pan
- Microprocessor monitors vital components 120 times per second to check for overheating, power supply problems, and more. Cooktop shuts off and displays error codes enabling user to diagnose and fix minor problems.
- RFID monitors food holding temperature in SmarTag™ chafing dishes
- Unit also includes SmartTemp and Power Cook Mode
- LCD display for precise user feedback of set temperature and actual temperature
- Automatic pan detection allows for instant energy transmission to pan
- Automatic shut-off feature prohibits overheating
- Glass panel allows for easy viewing and operation
- Easy-to-clean glass top and front surface
- Integral cooling fan keeps internal electronics cool
- Fits in same cutout as Buffet Wok and Standard Buffet unit.
- Available in 1800 watts, 120V; 2500, 3000, 3500 watts, 240V
- One year limited warranty
- Made-in-the-USA

Specifications:

Shall be a CookTek drop-in induction cooktop, Model _____ with a total kW rating of _____. Unit shall be manufactured in the United States and constructed of a stainless steel and aluminum housing and a high impact ceramic glass top. Unit shall be equipped with a built-in SmarTag™ technology that performs precise temperature control, auto shut off to prevent overheating, selfdiagnostics, and a pan maximizer feature that ensures maximum heating of any induction compatible pan. Unit shall have LCD display for temperature control. Unit shall operate on _____ power with integral cord and plug supplied.

OPTIONS AT NO CHARGE:

OPTIONS AT NO CHARGE: NEMA plug type standard for U.S. and Canadian destinations. All other countries must specify voltage, duty cycle and required NEMA plug configuration.

CookTek

810 West Washington Blvd.
Chicago, Illinois 60607 USA
www.cooktek.com

Tel: 1.312.563.9600 Fax: 1.312.432.6220

Toll Free: 1.888.COOKTEK (266-5835)

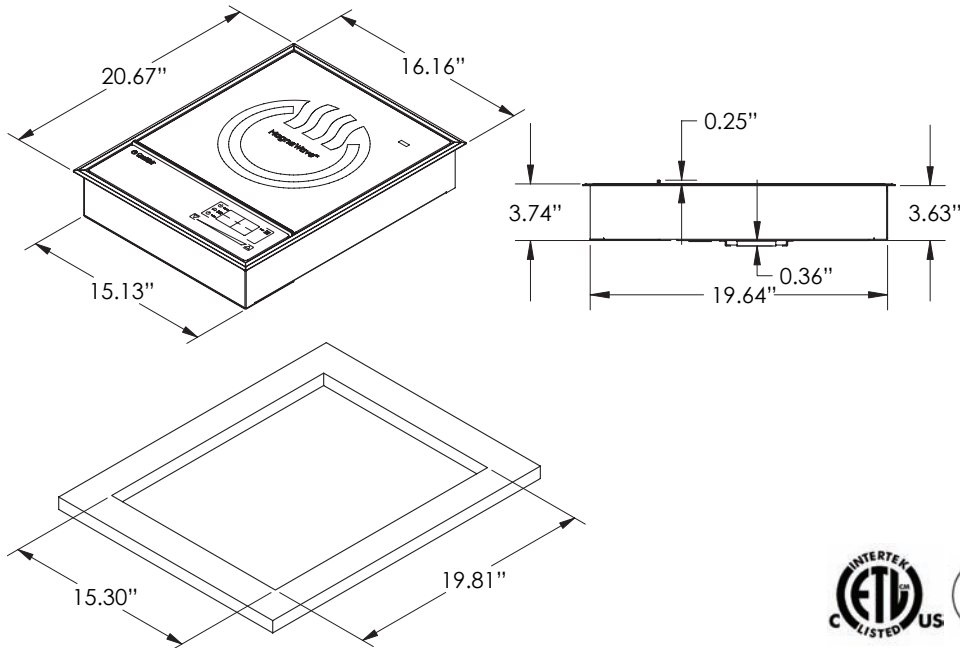
Toll Free Fax: 1.888.COOKFAX (266-5329)





CookTek
MagnaWave™ Systems

BUFFET SYSTEM / COOKTOP
MBC-1800G, MBC-2500G, MBC-3000G, MBC-3500G



SPECIFICATIONS

Model Number	MBC-1800G	MBC-2500G	MBC-3000G	MBC-3500G
Power requirements	100 -120V, 1PH	200 -240V, 1PH	200 -240V, 1PH	200 -240V, 1PH
Power consumption	1800 Watts (at max. setting)	2500 Watts (at max. setting)	3000 Watts (at max. setting)	3500 Watts (at max. setting)
BTU comparison	16,000 BTU	22,000 BTU	26,000 BTU	31,000 BTU
Voltage	100 -120V 50/60Hz	200 -400V 50/60Hz	200 -240V 50/60Hz	200 -240V 50/60Hz
Amperage	15 amps (at max. setting)	12 amps (at max. setting)	14 amps (at max. setting)	16 amps (at max. setting)
Power range	100 -1800W	100 -2500W	100 -3000W	100 -3500W
Temperature range	85 - 500F	85 - 500F	85 - 500F	85 - 500F
Dimensions (inches)	20.67L x 16.16W x 3.74H	20.67L x 16.16W x 3.74H	20.67L x 16.16W x 3.74H	20.67L x 16.16W x 3.74H
Weight	20 lbs.	20 lbs.	20 lbs.	20 lbs.
Packaged weight	23 lbs.	23 lbs.	23 lbs.	23 lbs.
North American Cord length & plug	6 Ft. NEMA 5 -15P	6 Ft. NEMA 6 -20P	6 Ft. NEMA 6 -20P	6 Ft. NEMA 6 -20P
Warranty	One year limited warranty	One year limited warranty	One year limited warranty	One year limited warranty
Cooling clearance	2" for front, sides & rear. 9" from bottom	2" for front, sides & rear. 9" from bottom	2" for front, sides & rear. 9" from bottom	2" for front, sides & Rear. 9" from bottom

* Requires 70 CFM of free airflow * Ambient air should not exceed 104°F * Dedicated circuit required

Accessories

SPCG01 SmarTag™ Petite Chafer, Glass Lid	1.19 gal, ~11.75 in diameter by 2.5 in depth	RDSSIO2 Round Divided Stainless Steel Insert, Large (1/2)
SPCM01 SmarTag™ Petite Chafer, Metal Lid	1.19 Liter, ~11.75 in diameter by 2.5 in depth	RSSILO1 Round Stainless Steel Insert, Large, (1/1)
SCG01 SmarTag™ Large Chafer, Glass Lid	1.72 gal, ~14 in diameter by 2.5 in depth	RSSIM01 Round Stainless Steel Insert, Medium, (1/1)
SCM01 SmarTag™ Large Chafer, Metal Lid	1.72 gal, ~14 in diameter by 2.5 in depth	
RPP01 Round Petite Porcelain Insert (1/1)		
RPI01 Round Porcelain Insert (1/1)		
RPI02 Round Porcelain Insert (1/2)		

Note: Many local codes exist, and it is the Owner and Installer's responsibility to comply with those codes. It's CookTek's policy to continually improve its products, and we reserve the right to change or improve our specifications without notification.

CookTek
810 West Washington Blvd.
Chicago, Illinois 60607 USA
www.cooktek.com

Tel: 1.312.563.9600 Fax: 1.312.432.6220
Toll Free: 1.888.COOKTEK (266-5835)
Toll Free Fax: 1.888.COOKFAX (266-5329)



COOKTEK
MagnaWave™ Systems

BUFFET SYSTEM / COOKTOP MBC-1800G, MBC-2500G, MBC-3000G, MBC-3500G