



DROP-IN BUFFET WOK
MBW-1800G, MBW-2500G, MBW-3000G, MBW-3500G



Standard Features:

- Flexible Drop-In housing. Heavy duty electronic components and specially engineered, high impact, high temperature, recessed glass wok bowl designed for use in commercial kitchens
- Induction coil surrounds glass bowl to allow for maximum heating of induction compatible wok pan
- Pan Maximizer feature achieves maximum heating rate of induction compatible wok pan
- Microprocessor monitors vital components 120 times per second to check for overheating, power supply problems, and more. Cooktop shuts off and displays error codes enabling user to diagnose and fix minor problems
- LCD display panel with capacitive touch for precise user feedback and operation
- Built in cooking timer
- Automatic pan detection allows for instant energy transmission to pan, and no energy use when pan is not present
- Automatic shut-off feature prohibits overheating
- Easy-to-clean glass top and front surface
- Fits in same cut-out as Standard Buffet
- Integral cooling fan keeps internal electronics cool
- Available in 1800 Watts (100-120V), 2500, 3000 and 3500 Watts (200-240V)
- One year limited warranty
- Made in the USA

Specifications:

Shall be a CookTek induction wok, Model _____ with a total kW rating of _____. Unit shall be manufactured in the United States and constructed of a stainless steel housing with a specially engineered, high-impact, high-temperature, recessed glass wok bowl to accommodate wok pan. Unit shall be equipped with built in SmarTemp™ temperature control with 100 precise power settings, auto shut off to prevent over-heating, self diagnostics, and a pan maximizer feature that ensures maximum heating of any induction compatible wok pans. Unit shall operate on _____ power with cord and plug supplied.

CookTek

810 West Washington Blvd.
 Chicago, Illinois 60607 USA
www.cooktek.com

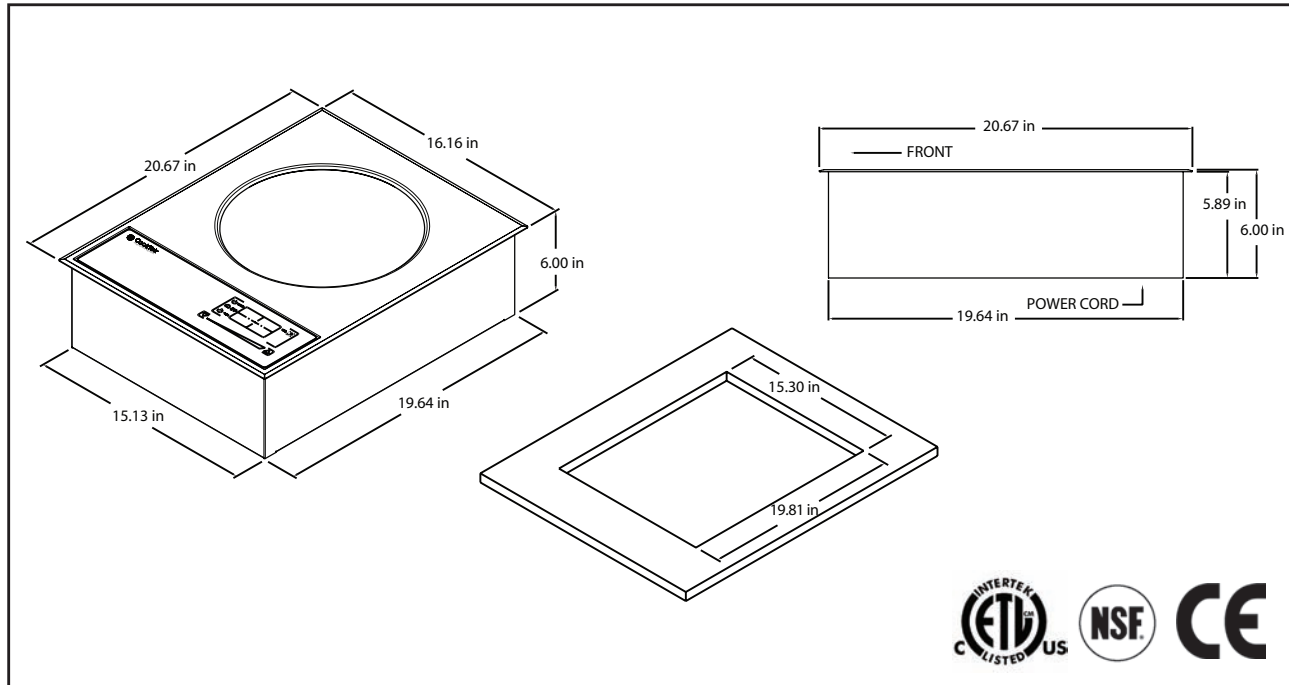
Tel: 1.312.563.9600 Fax: 1.312.432.6220
 Toll Free: 1.888.COOKTEK (266-5835)
 Toll Free Fax: 1.888.COOKFAX (266-5329)



DROP-IN BUFFET WOK MBW-1800G, MBW-2500G, MBW-3000G, MBW-3500G



DROP-IN BUFFET WOK
MBW-1800G, MBW-2500G, MBW-3000G, MBW-3500G



DRO- IN BUFFET WOK MBW-1800G, MBW-2500G, MBW-3000G, MBW-3500G

SPECIFICATIONS

Model Number	MBW-1800G	MBW-2500G	MBW-3000G	MBW-3500G
Power requirements	100-120V, 1PH	200-240V, 1PH	200-240V, 1PH	200-240V, 1PH
Power consumption	1800 Watts	2500 Watts	3000 Watts	3500 Watts
BTU comparison	16,000 BTU	22,000 BTU	26,000 BTU	31,000 BTU
Voltage	100-120V, 50/60Hz	200-240V 50/60Hz	200-240V 50/60Hz	200-240V 50/60Hz
Amperage	15 amps (at max. setting)	12 amps (at max. setting)	14 amps (at max. setting)	16 amps (at max setting)
Power range	100-1800W	100-2500W	100-3000W	100 - 3500W
Temperature range	85 - 500F	85 - 500F	85 - 500F	85 - 500F
Surface dimensions (inches)	20.67L x 16.15W x 6.0H	20.67L x 16.15W x 6.0H	20.67L x 16.15W x 6.0H	20.67L x 16.15W x 6.0H
Weight	20 lbs	20 lbs	20 lbs	20 lbs
Packaged weight	23 lbs	23 lbs	23 lbs	23lbs
Packaging (inches)	24.0L x 18.0W x 10.0H	19.0L x 19.0W x 14.5H	19.0L x 19.0W x 14.5H	24.0L x 18.0W x 10.0H
North American Cord length & plug	6 Ft., NEMA 5-15P	6 Ft., NEMA 6-20P	6 Ft., NEMA 6-20P	6 Ft., NEMA 6-20P
Warranty	One year limited warranty	One year limited warranty	One year limited warranty	One year limited warranty
Cooling clearance	2" for front side and rear 9" from bottom	2" for front side and rear 9" from bottom	2" for front side and rear 9" from bottom	2" for front, sides 9" from bottom

*Dedicated circuit required
 *Ambient air should not exceed 104°F
 *75 CFM of free airflow required

Note: Many local codes exist, and it is the Owner and Installer's responsibility to comply with those codes. It's CookTek's policy to continually improve its products, and we reserve the right to change or improve our specifications without notification.

CookTek
 810 West Washington Blvd.
 Chicago, Illinois 60607 USA
 www.cooktek.com

Tel: 1.312.563.9600 Fax: 1.312.432.6220
 Toll Free: 1.888.COOKTEK (266-5835)
 Toll Free Fax: 1.888.COOKFAX (266-5329)

