



CookTek[®]
MagnaWave[™] Systems

FREE-STANDING DOUBLE HOB COOKTOPS
MC-2502F, MC-2502S, MC-3002F, MC-3002S
MC-3502F, MC-3502S

PRODUCT:

QTY:

ITEM#



Standard Features:

- Portable tabletop design with stainless steel housing, heavy duty electronic components, and high impact, thick, ceramic-glass top engineered for use in commercial kitchens
- Available in front-to-back or side-by-side models
- Each induction hob has its own separate controls for independent operation and functionality
- Control knob for ease of use and automatic power or temperature control
- SmarTemp[™] Temperature allows for 27 precise temperature settings and 20 power cook settings
- Pan Maximizer feature achieves maximum heating of any induction compatible pan
- Microprocessor monitors vital components 120 times per second to check for overheating, power supply problems, and more. Cooktop shuts off and displays error codes enabling user to diagnose and fix minor problems
- LED display for precise user feedback
- Automatic pan detection allows for instant energy transmission to pan, and no energy use when pan is not present
- Automatic shut-off feature prohibits over-heating
- Sloped front panel allows for easy viewing and operation
- Easy-to-clean, smooth, ceramic-glass top surface
- Integral cooling fan keeps internal electronics cool
- Available in 5000, 6000 and 7000 Wattages (200-240V) – 2500, 3000, 3500 watts per hob
- One year limited warranty
- Made-in-the-USA



Shall be a CookTek free-standing double hob cooktop, Model _____ with a total kW rating of _____. Unit shall be manufactured in the United States and constructed of a stainless steel housing and a high impact, thick, ceramic-glass top. Unit shall be equipped with a built-in SmarTemp[™] microprocessor that performs precise temperature control, auto shut-off to prevent over-heating, self-diagnostics, and a pan maximizer feature that ensures maximum heating of any induction compatible pan. Unit shall have an adjustable electronic control with 20 power cook settings and 27 precise temperature settings. Unit shall operate on _____ power with integral cord and plug supplied.

Note: Induction cooking requires the use of magnetic pots and pans.

CookTek
810 West Washington Blvd.
Chicago, Illinois 60607 USA
www.cooktek.com

Tel: 1.312.563.9600 Fax: 1.312.432.6220
Toll Free: 1.888.COOKTEK (266-5835)
Toll Free Fax: 1.888.COOKFAX (266-5329)



FREE-STANDING DOUBLE HOB COOKTOPS
MC-2502F, MC-2502S, MC-3002F, MC-3002S, MC-3502F, MC-3502S



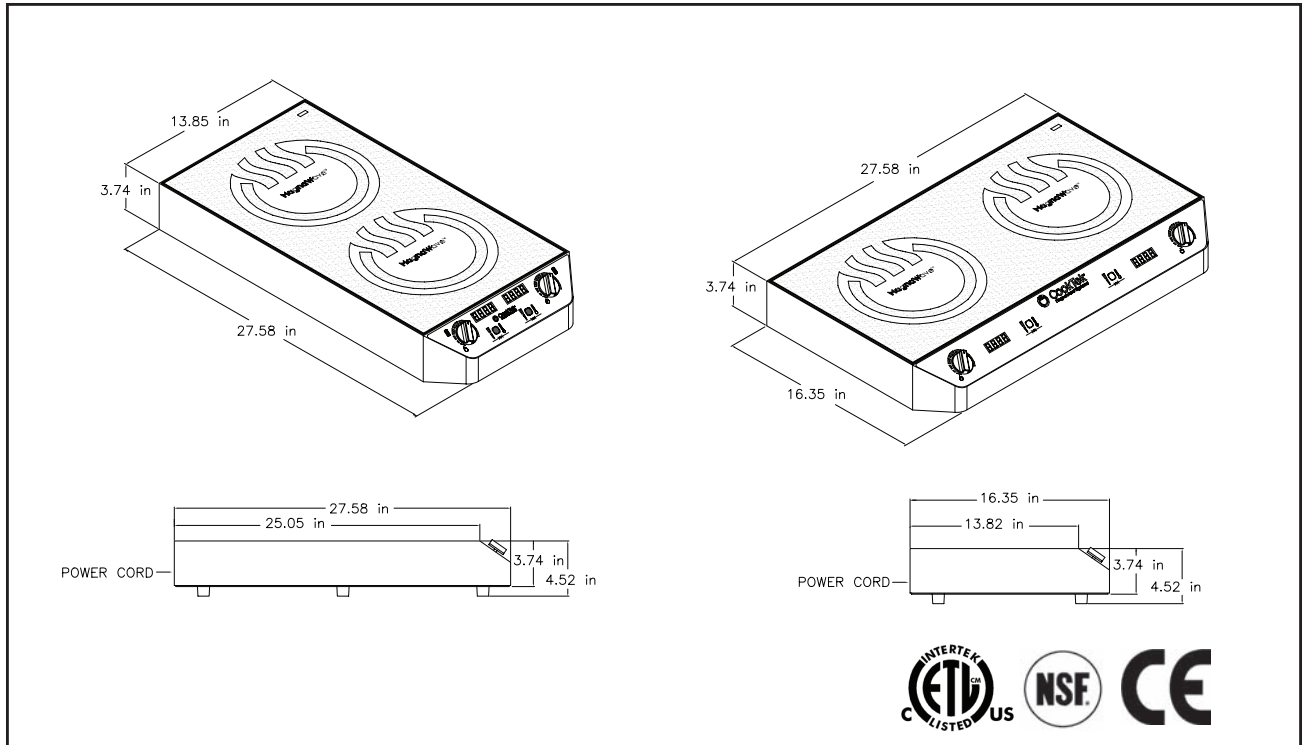
COOKTEK[®]
MagnaWave[™] Systems



CookTek[®]
MagnaWave[™] Systems

FREE-STANDING DOUBLE HOB COOKTOPS
MC-2502F, MC-2502S, MC-3002F, MC-3002S
MC-3502F, MC-3502S

FREE-STANDING DOUBLE HOB COOKTOPS
MC-2502F, MC-2502S MC-3002F, MC-3002S, MC-3502F, MC-3502S



SPECIFICATIONS

Model Number	MC-2502F	MC-2502S	MC-3002F	MC-3002S	MC-3502F	MC-3502S
Power requirements	200-240V, 1PH	200-240V, 1PH	200-240V, 1PH	200-240V, 1PH	200-240V, 1PH	200-240V, 1PH
Power consumption	5000 Watts (2 x 2500 W at max setting)	5000 Watts (2 x 2500 W at max setting)	6000 Watts (2 x 3000 W at max setting)	6000 Watts (2 x 3000 W at max setting)	7000 Watts (2 x 3500 W at max setting)	7000 Watts (2 x 3500 W at max setting)
BTU comparison	2 x 22,000 BTU	2 x 22,000 BTU	2 x 26,000 BTU	2 x 26,000 BTU	2 x 31,000 BTU	2 x 31,000 BTU
Voltage	200-240V 50/60Hz	200-240V 50/60Hz	200-240V 50/60Hz	200-240V 50/60Hz	200-240V 50/60Hz	200-240V 50/60Hz
Amperage	22 amps (at max setting)	22amps (at max setting)	26 amps (at max setting)	26 amps (at max setting)	30 amps (at max setting)	30 amps (at max setting)
Power range	100 - 2500W per hob	100 - 2500W per hob	100 - 3000W per hob	100 - 3000W per hob	100 - 3500W per hob	100 - 3500W per hob
Temperature range	85 - 500F	85 - 500F	85 - 500F	85 - 500F	85 - 500F	85 - 500F
Dimensions (inches)	27.58L x 13.85W x 4.52H	16.35L x 27.58W x 4.52H	27.58L x 13.85W x 4.52H	16.35L x 27.58W x 4.52H	27.58L x 13.85W x 4.52H	16.35L x 27.58W x 4.52H
Weight	31 lbs	31 lbs	31 lbs	31 lbs	31 lbs	31 lbs
Packaged weight	45 lbs	45 lbs	45 lbs	45 lbs	45 lbs	45 lbs
North American Cord length & plug	6 Ft. NEMA 6-30P	6 Ft. NEMA 6-30P	6 Ft. NEMA 6-30P	6 Ft. NEMA 6-30P	6 Ft. NEMA 6-50P	6 Ft. NEMA 6-50P
Warranty	One year limited Warranty	One year limited Warranty	One year limited Warranty	One year limited Warranty	One year limited Warranty	One year limited Warranty
Cooling clearance	2" for front, sides and rear	2" for front, sides and rear	2" for front, sides and rear	2" for front, sides and rear	2" for front, sides and rear	2" for front, sides and rear

* Dedicated circuit required

* Ambient air should not exceed 104°F

Note: Many local codes exist, and it is the Owner and Installer's responsibility to comply with those codes. It's CookTek's policy to continually improve its products, and we reserve the right to change or improve our specifications without notification.

CookTek

810 West Washington Blvd.
Chicago, Illinois 60607 USA
www.cooktek.com

Tel: 1.312.563.9600 Fax: 1.312.432.622

Toll Free: 1.888.COOKTEK (266-5835)

Toll Free Fax: 1.888.COOKFAX (266-5329)

