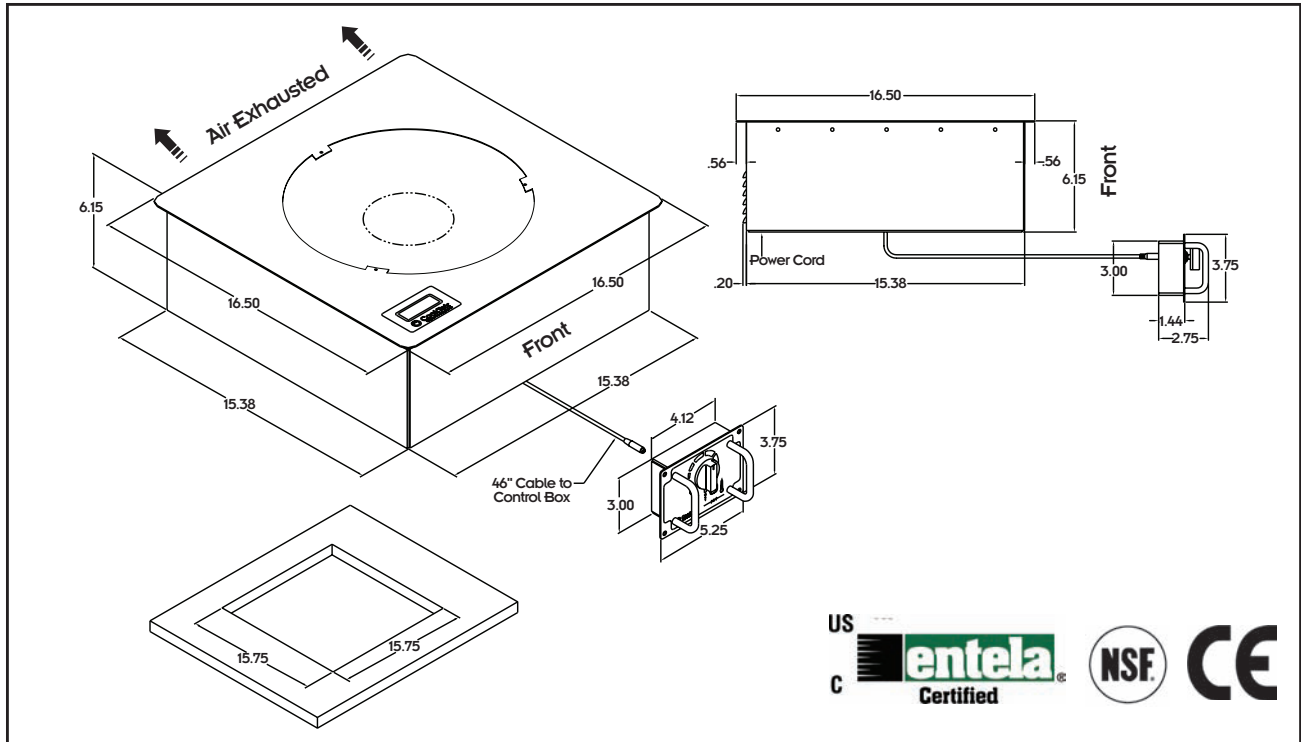




**CookTek**  
MagnaWave™ Systems

**DROP-IN INDUCTION WOK**  
MWD-1800, MWD-2500, MWD-3000, MWD-3500

DROP-IN INDUCTION WOK MWD-1800, MWD-2500, MWD-3000, MWD-3500



**SPECIFICATIONS:**

	MWD-1800	MWD-2500	MWD-3000	MWD-3500
Power requirements	100-120V, 1PH	200-240V, 1PH	200-240V, 1PH	200-240V, 1PH
Power consumption	1800 Watts	2500 Watts	3000 Watts	3500 Watts
BTU comparison	16,000 BTU	22,000 BTU	26,000 BTU	31,000 BTU
Voltage	100-120V, 50/60Hz	200-240V 50/60Hz	200-240V 50/60Hz	200-240V 50/60Hz
Amperage	15 amps (at max. setting)	11 amps (at max. setting)	13 amps (at max. setting)	15 amps (at max. setting)
Power range	100-1800W	100-2500W	100-3000W	100W-3500W
Temperature range	85 - 500F	85 - 500F	85 - 500F	85 - 500F
Surface (inches) dimensions	16.50L x 16.50W x 6.15H	16.50L x 16.50W x 6.15H	16.50L x 16.50W x 6.15H	16.50L x 16.50W x 6.15H
Weight	18.2 lbs	18.2 lbs	18.2 lbs	18.2 lbs
Packaged weight	21 lbs	21 lbs	21 lbs	21 lbs
Packaging (inches) dimensions	20.0L x 20.0W x 14.0H	19.0L x 19.0W x 14.5H	19.0L x 19.0W x 14.5H	20.0L x 20.0W x 14.0H
North American Cord length & plug*	6 Ft., NEMA 5-15P	6 Ft., NEMA 6-20P	6 Ft., NEMA 6-20P	6 Ft., NEMA 6-20P
Control box lead length	40 inches	40 inches	40 inches	40 inches
Warranty	One year limited warranty	One year limited warranty	One year limited warranty	One year limited warranty
Cooling clearance	2" for front, sides and rear 6" from bottom	2" at rear 6" from bottom	2" at sides and rear 6" from bottom	2" for front, sides and rear 6" from bottom
Max. counter thickness	1"	1"	1"	1"

\*IEC Connector for 200V and higher units. International cord length = 8.2ft.

Note: Many local codes exist, and it is the Owner and Installer's responsibility to comply with those codes. It's CookTek's policy to continually improve its products, and we reserve the right to change or improve our specifications without notification.



**CookTek**  
810 West Washington Blvd.  
Chicago, Illinois 60607 USA  
[www.cooktek.com](http://www.cooktek.com)

Tel: 1.312.563.9600 Fax: 1.312.432.6222  
Toll Free: 1.888.COOKTEK (266-5835)  
Toll Free Fax: 1.888.COOKFAX (266-5329)

